

The BIG "E" BULB
EG-150 120-watt



A Smart Green Solution for Replacement of Metal Halide Lamps

The EG-150 "Big E Bulb" is a direct replacement for 250-watt Metal Halide or Pulse Start Lamps. Simply screw the "Big E Bulb" into a MH fixture, no need to bypass the ballast. Major advantages of the "Big E Bulb" are high lumens maintenance, instant start up and restrike, no color change, better color temperature, higher CRI, cooler running temperature and energy savings. Cost savings is two-fold: less electricity than running a MH fixture and lower labor cost to bypass the ballast. The "Big E Bulb" will also work in a fixture without a ballast on AC 277V. The spiral design is created for higher lumen efficiency than a normal U shape CFL.

Visual Color Temp.



Features and Benefits

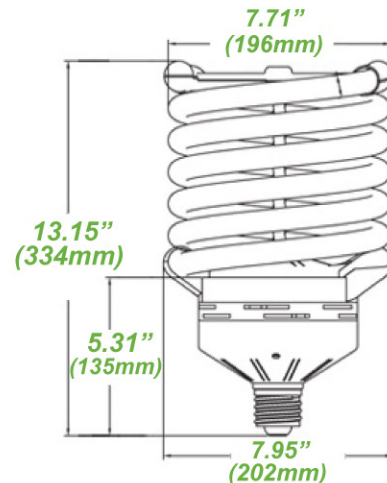
(Note: Will not work with electronic ballast)

- Direct replacement for Metal Halide & Pulse Start Lamps
- 52% energy savings
- Instant start-up and restrike
- High lumens maintenance over the bulb life
- Better color rendition (84)
- No change in lamp color
- 90% less heat than Metal Halide Lamps
- Less Mercury content than Metal Halide lamps
- 18 month warranty
- UL & CUL listed and approved

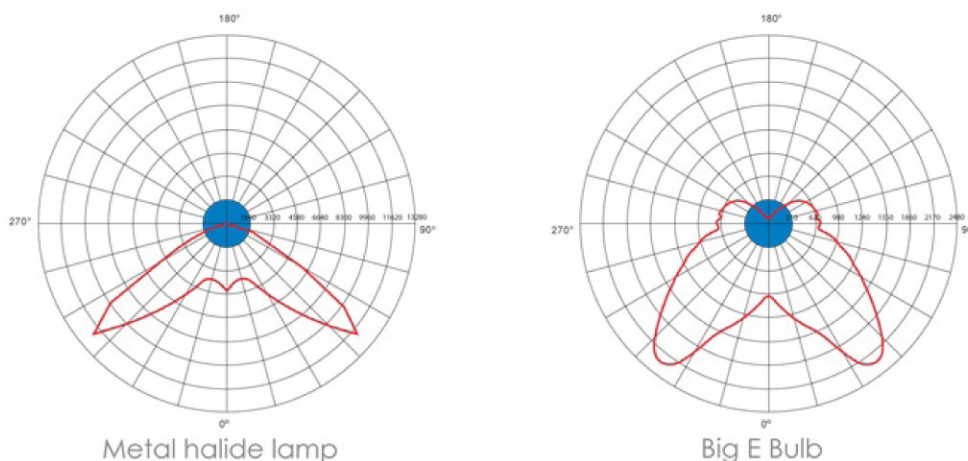
Watts	120W
Lamp Tube Type	Twin Spiral 0.78" Dia.
Main Voltage Scope	260-325V
Input Current	440mA
Main Frequency	60Hz
Power Factor	≥ 0.9
Lumens	8,640LM
Scotopic Lumens	16,934LM
Lumen Per Watts	70LPW
Color Temperature	5000K
CRI	84
Ideal Temperature	32°F-113°F
Starting Temperature	0°F-135°F
Base	E-39
Life	15,000 hours

Lamp Dimensions

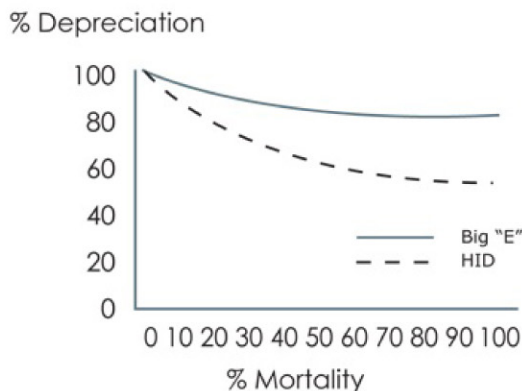
Type	Watts	Metal Halide Equivalent	Rated I/P Voltage	Initial Lumens	CRI	MOL	MOD	Base	Average Life
Big E Bulb	120W	250W	260-325V	8640LM	≥84	13.15"	7.95"	E-39	15000



Light Distribution Curve Comparison



Lumens Maintenance Curve



! WARNING	ANSI Luminaire Code 0 OPEN FIXTURE permissible
The following instructions must be complied with to avoid risk of personal injury, property damage and poor lamp performance.	

THERE IS A RISK OF PERSONAL INJURY, PROPERTY DAMAGE, BURNS AND FIRE. TO REDUCE THESE RISKS:

1. Only operate with compatible ballasts and fixtures.
2. Only operate lamp in designated operating positions.
3. Never expose operating lamp to moisture (such as rain, sleet or snow).
4. Electrically insulate any metal support in contact with the outer glass bulb to avoid glass decomposition.

ELECTRICAL SHOCK AND BURN HAZARDS:
Do not remove or insert lamp while power is on.

CAUTION:
There is a risk of electric shocks. Use in dry locations only. Not for use in totally enclosed recessed fixtures. Not for use with dimmers. Not for use where exposed to the weather. Only use with Magnetic Ballasts and do not replace in High Pressure Sodium Ballasts.

AUTOCELL ELECTRONICS, INC. - BIG E BULB - 18 MONTH LIMITED WARRANTY
This light bulb is warranted to perform free from defects for 18 months in commercial use. If it fails to do so, you may return it with proof of purchase to P.O. Box 580071, Elk Grove, CA 95758-0002 for replacements. Do not discard lamp. Save the lamp until return instructions are sent to purchaser. The lamp will be needed to fill out the warranty form.